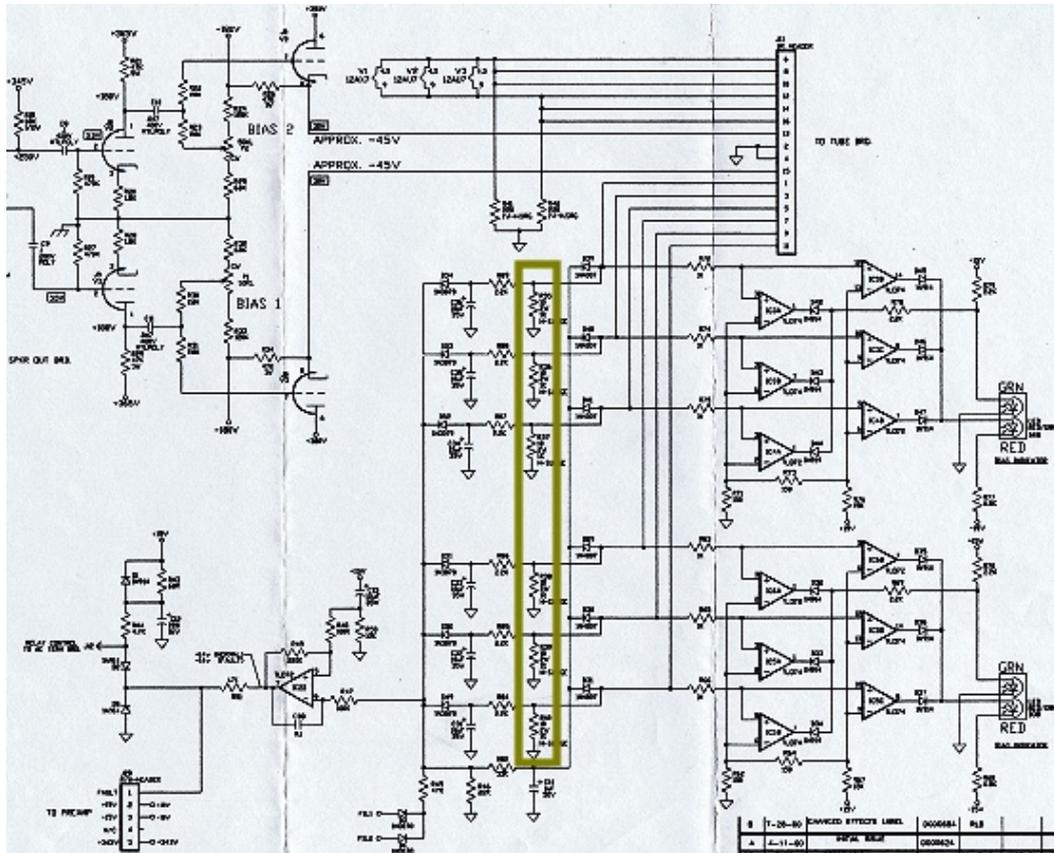


Ampeg Svt Schematic Ebook Full Download (epub)



DOWNLOAD: <https://tinurli.com/28qtgx>

Download

7c23cce9bc

Related links:

[neethane en ponvasantham mudhal murai video songs download](#)

[Romanza De Bacarisse Pdf Download](#)

[why is iphone facebook app so big](#)

[Things 2 Mac App Review](#)

---

[Cooking Restaurant 1.16.2a Apk Mod Money android Free Download](#)